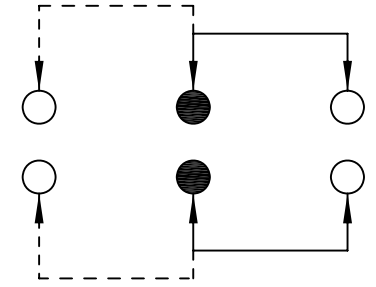
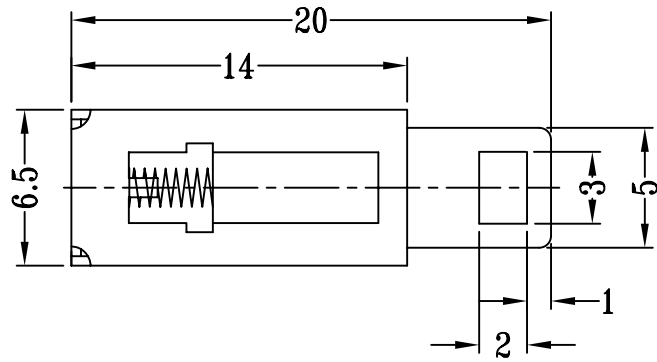
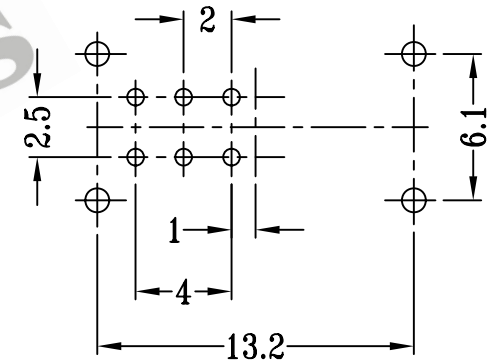
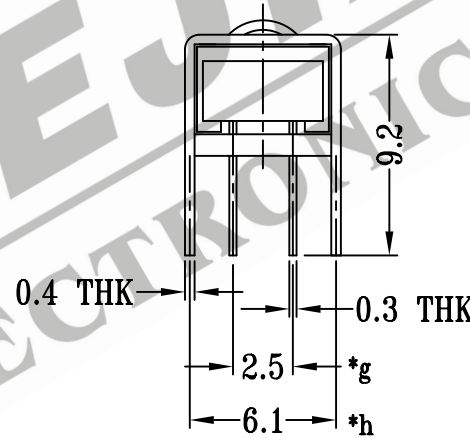
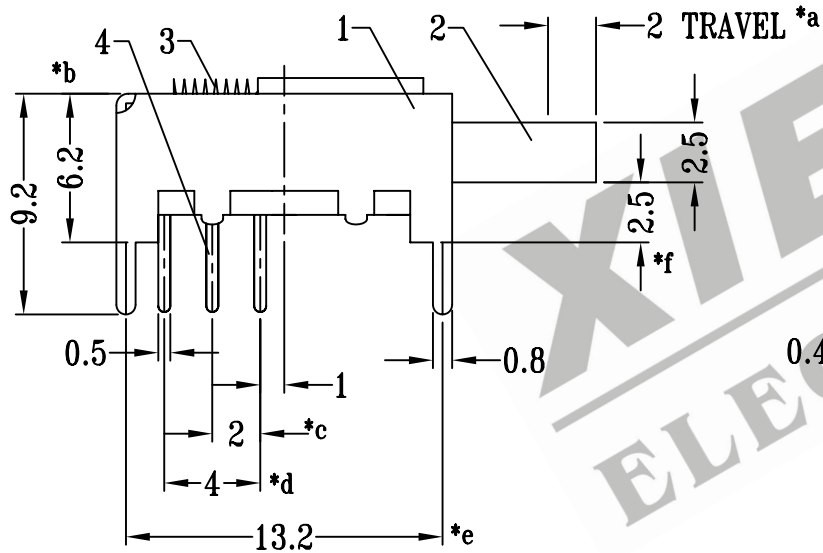


CAD FILE:



SCHEMATIC (NON-SHORTING)



P.C.B LAYOUT

注:带"*"表示关键尺寸(8个)

8					TOLERANCE	SHENZHEN XIEJIA ELECTRONICS CO.,LTD.				
7					UNLESS SPECIFIED					
6	CONTACT CLIP	PBS	2	Ag CLAD	WITHIN: 1.5±0.1mm	ISSUE	DATE	DESCRIPTIONS		APPD.
5	TERMINAL BASE	PHENOLIC RESIN	1	NATURAL	OVER : 1.5±0.2mm					
4	TERMINAL	BRASS STRIP	6	Ag PLATED OVER Ni PLATED	TITLE : PUSH SWITCH	UNIT : MM	DRWG NO.:XJ-DR-PS22D12-00			
3	SPRING	STEEL WIRE	1	TEMPER	MODEL: PS-22D12	SCALE: 3:1	DWN.	ZHOUYU	2003-12-4	
2	KNOB	POM	1	BLACK	ALL MATERIALS MUST BE COMPLIANT TO ROHS		CHK'D	FANGYING	2003-12-4	
1	FRAME	STEEL STRIP	1	Ni PLATED			APPD.	KANGXINAN	2003-12-4	
NO.	PART NAME	MATERIAL	Q'TY	FINISHING						